

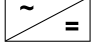
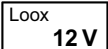







LED 2025
LED 2026

833.72.350	833.72.360
833.72.351	833.72.361
833.72.352	833.72.362
833.72.323	833.72.137

	K	W	T_A	 mm	 mm				
833.72.350	2700 K	3.8 W	-20 °C – +35 °C -4 °F – +95 °F	Ø 61.2 x 15.6	≥ Ø 71.2 x 25.6				
833.72.351	3000 K								
833.72.352	4000 K								
833.72.323	5000 K								
833.72.360	2700 K	3.0 W							
833.72.361	3000 K								
833.72.362	4000 K								
833.72.137	5000 K								

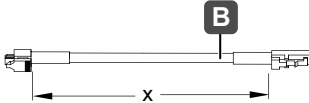
732.28.225



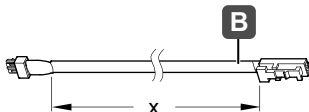
A

+



B

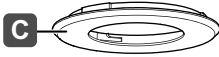
x	
500	833.72.880
1000	833.72.881
2000	833.72.882



B

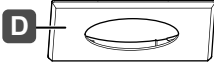
x	
500	833.72.128
1000	833.72.129
2000	833.72.123

+




C

833.72.126 <input type="checkbox"/>	833.72.380 <input type="checkbox"/>
	833.72.381 <input type="checkbox"/>
	833.72.382 <input type="checkbox"/>
	833.72.168 <input type="checkbox"/>
	833.72.170 <input type="checkbox"/>
	833.72.171 <input type="checkbox"/>




D

833.72.127 <input type="checkbox"/>	833.72.383 <input type="checkbox"/>
	833.72.384 <input type="checkbox"/>
	833.72.385 <input type="checkbox"/>
	833.72.172 <input type="checkbox"/>
	833.72.174 <input type="checkbox"/>
	833.72.175 <input type="checkbox"/>

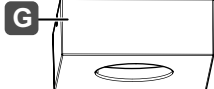


F




E 2x

833.72.124 <input type="checkbox"/>	833.72.193 <input type="checkbox"/>
	833.72.192 <input type="checkbox"/>
	833.72.194 <input type="checkbox"/>
	833.72.160 <input type="checkbox"/>
	833.72.162 <input type="checkbox"/>
	833.72.163 <input type="checkbox"/>



G



E 2x

833.72.125 <input type="checkbox"/>	833.72.195 <input type="checkbox"/>
	833.72.196 <input type="checkbox"/>
	833.72.197 <input type="checkbox"/>
	833.72.164 <input type="checkbox"/>
	833.72.166 <input type="checkbox"/>
	833.72.167 <input type="checkbox"/>

HDE 04/2017

